

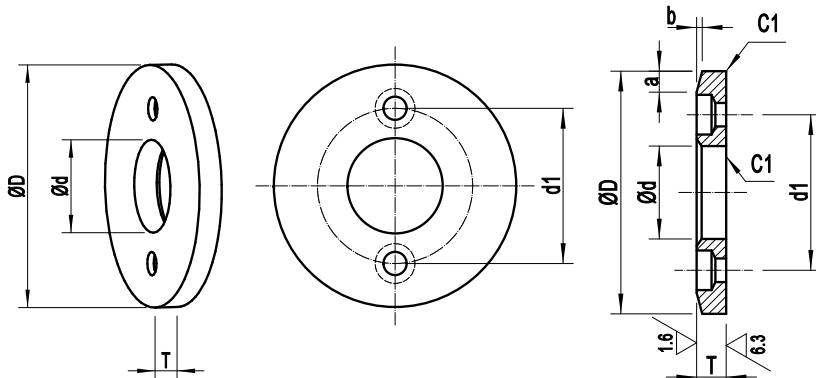
Thrust Washers

BORUN

止推垫圈

NITONI 米塔米®

Material	650#+Graphite
材质	高力黄铜+石墨



(unit: mm)

TYPE	Φ _d Inner Dia	Φ _D	T 0 -0.1	Bolts			Chamfer			
				d1	Qty.	Size	a	b		
BRW06	6.2	25	3	15	2	M3	1.5	0.3		
BRW08	8.2	28		18						
BRW10	10.2	30		20						
BRW12	12.2	40	3	28	2	M3	2	0.4		
BRW12N	12.2			GT					-	-
BRW13	13.2			28						
BRW14	14.2	50	5	28	2	M3	2	0.4		
BRW15	15.2			35						
BRW16	16.2			-					-	-
BRW16N	16.2	50	5	35	2	M3	2	0.4		
BRW18	18.2			-					-	-
BRW20	20.2			35						
BRW25	25.2	55	5	40	2	M5	2.5	0.4		
BRW30	30.2	60		45						
BRW35	35.2	70		50						
BRW40	40.2	80	7	60	2	M6	3	0.5		
BRW45	45.2	90		70						
BRW50	50.3	100		75						
BRW55	55.3	110	8	85	2	M6	4	0.6		
BRW60	60.3	120		90						
BRW65	65.3	125		95						
BRW70	70.3	130	10	100	2	M8	5	0.8		
BRW75	75.3	140		110						
BRW80	80.3	150		120						
BRW90	90.5	170	10	140	2	M8	5	0.8		
BRW100	100.5	190		160						
BRW120	120.5	200		175						

止推垫圈
THRUST WASHERS