

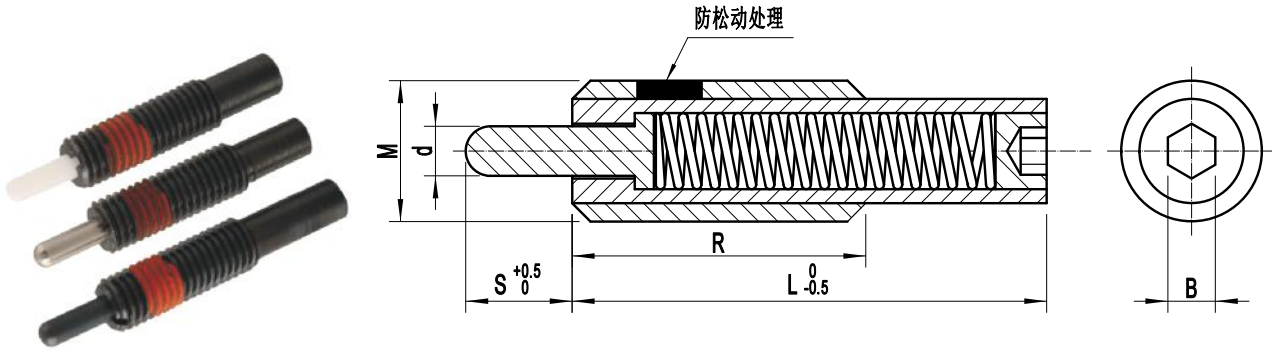
B106 Ball Spring Plunger

BORUN

B106 弹簧柱塞

NITONI 米塔米®

Material	Stainless steel 不锈钢
材质	Carbon steel 碳钢



(unit: mm)

M	S	d	R	L	B	Load(N)							
						1H		2H		3H		4H	
						MIN	MAX	MIN	MAX	MIN	MAX	MIN	MAX
3	1.5	1.1	10		0.9	0.05	0.32	0.49	1	0.78	2.9	2.2	4.5
	3		15			0.09	0.32	0.29	1	0.78	2.9	1.8	4.5
4	2	1.6	15		1.3	0.23	0.65	1	2	2.9	8.8	5.2	13
	4		24			0.24	0.65	0.59	2	2	8.8	5.2	13
5	3	2	20		1.5	0.74	2.95	2	9.8	4.9	19.6	9.1	24.5
	5		27			0.72	2.95	2	9.8	2.9	19.6	8.8	24.8
6	3	2.5	25		2	0.85	3.2	5.9	9.8	7.8	29.4	14.2	39.5
	5		30			0.85	3.2	2	9.8	4.9	29.4	14.1	39.4
8	3	3.1	25		2.5	0.9	3.3	5.9	9.8	14.7	29.4	35.3	41.2
	5		27			0.9	3.3	2.9	9.8	7.8	29.4	14.7	41.2
10	5	3.8	30		3	1.9	4.7	5.9	14.7	8.8	49	15.7	62.8
	10		30	43		1.7	4.7	2.9	14.7	7.8	49	12.7	62.8
12	5	5.5	30		4	1.5	4.7	5.9	14.7	18.6	49	37.2	98.1
	10		35	43		1.3	5.9	2.9	19.6	7.8	49	14.7	98.1
	15		35	51		1.6	5.9	2.9	19.6	4.9	49	14.9	98.1
16	10	8	35	60	5	1.7	12.8	5.9	39.2	12.7	78.5	23.5	147.2
	15		35	60		1.7	12.8	3.9	39.2	12.7	78.5	21.6	147.2
	20		35	85		1.7	12.8	4.9	39.2	9.8	78.5	12.7	147.2
	30		35	125				2.9	39.2	6.9	78.5	19.6	147.2
20	15	10	45	60	6	-	-	12.7	78.5	24.5	147.1	12.7	245.3
24	15		45	60	10			19.6	98.1	47.1	215.7	24.5	314

波珠螺丝
BALL PLUNGER