

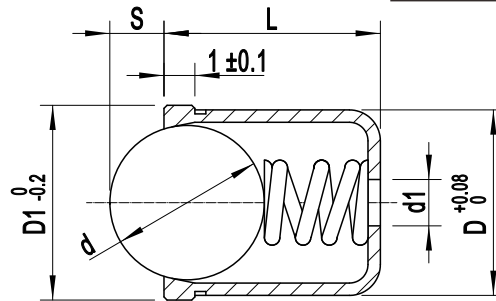
# B101/B102 Ball Plunger

**BORUN**

B101/B102波珠螺丝

**NITONI 米塔米®**

**B101 Ball Plunger** B101波珠螺丝

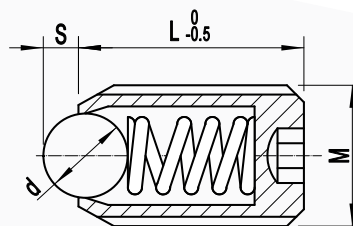
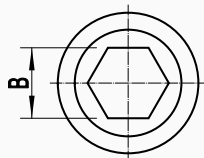


Material	Stainless steel
材质	不锈钢

(unit: mm)

M	D1	L	S	d	d1	Load(N)	
						MIN	MAX
3	3.6	4	0.6	2	1	0.74	0.98
4	4.6	5	0.8	3	1.5	0.65	5.6
4L		6.5				3.1	8.7
5	5.6	6	1	4	2	2.8	6.3
5L		8				5.1	13.5
6	6.6	7	1.6	5	2.5	3	10
6L		9				5.3	16.5
8	8.6	9	1.9	6.35	3	6.5	11.7
8L		12				8	28
10	10.6	11.5	2.4	8	3	9	15
10L		14.5				13.5	30.5
12	12.6	16	3.5	10		13	60

**B102 Ball Plunger** B102波珠螺丝



Material	Stainless steel 不锈钢
材质	Carbon steel 碳钢

(unit: mm)

M	L	d	S	B	Load(N)							
					MIN	MAX	MIN	MAX	MIN	MAX	MIN	MAX
3	5/6/8/10/12/16	1.5	0.5	1.5	0.3	0.64	1	2	1.5	2.9	2.2	5
4	6/8/10/12/16/20	2	0.7	2	0.6	1.6	2	4.9	3.9	9.8	5.2	12.5
5	8/10/12/16/18/20/25/30	2.5	0.8	2.5	1	3.12	2.9	9.8	4.9	19.6	11.2	24.1
6	8/10/12/14/16/20/25/30	3	1.2	3	1.6	4.85	4.9	14.7	9.8	29.4	17.7	33.4
8	10/12/16/20/23/25/30/35/40/50	5	2	4	2.4	6.36	6.9	19.6	12.7	39.2	21.4	45.3
10	16/19/20/25/27/30/35/40/45/50	6	2.5	5	3	8.1	8.8	24.5	18.6	49	23.5	58.7
12	20/22/25/30/32/35/40	8	3	6	3.5	9.68	9.8	29.4	19.6	58.8	24.1	62.3
16	25/30/35/40	10	4	8	5.7	15.8	15.7	49	29.4	98	43.6	116

波珠螺丝 BALL PLUNGER